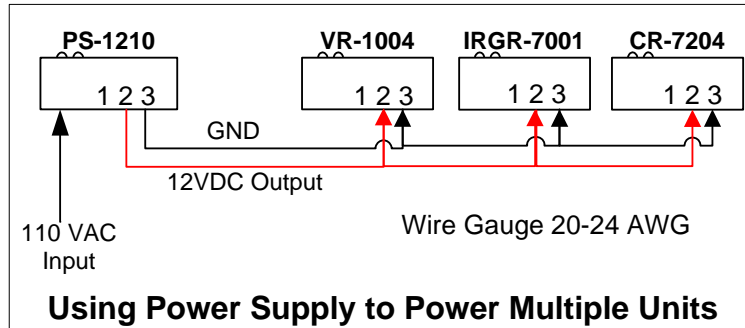


# How to Hook up Multiple Units to a Single Power Supply

Since a typical unit draws 200-300mA and each unit has its own internal power regulator you can use a single power supply to power multiple units. All that has to be done is daisy chain the power and ground wires from the power supply to each unit. The total power consumed must be less than the maximum power supply output. For example, a 1 Amp power supply such as the PS-1210 US can power five units that consume 200mA.



Example photos

