

## HIGH SPEED DATA TRANSMISSION

DT/DR-7301

For Point-to-Point High Speed Data Applications

The **Litelink™** DT/DR-7301 system consists of the DT-7301 transmitter and DR-7301 receiver. This system is designed to transmit and receive TTL, ECL, or PECL signals in a wide range of diverse applications. The unit can easily be user configured for single-end or differential mode operation. The DT/DR-7301 will operate continuously at all data rates from 1Mb to 200 Mb/sec. An additional benefit of this system is that it can perform protocol conversion.

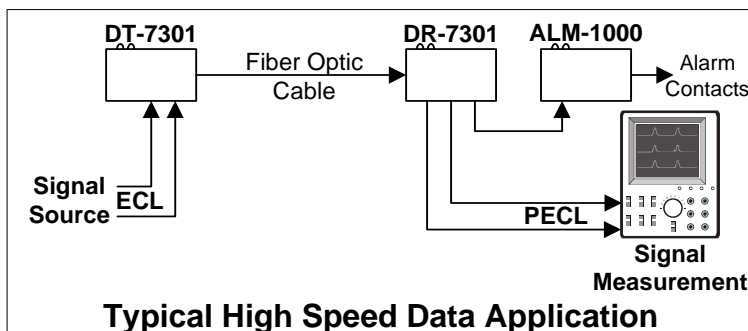
Both multimode and single-mode versions are available and installation is totally adjustment free. In addition, integral indicators are provided to continuously indicate the presence of data signals as well as the presence of operating power making system troubleshooting simple.



### Technical Specifications

Data Transmission Rate	1 Mb to 200 Mb/s (50Mb TTL)
Protocols Supported	TTL (50 ohm/Hi-Z), ECL, PECL
Duty Cycle*	50/50 to 80/20
Rise / Fall Time (ECL)	0.5ns typical, 2.5ns max
Minimum pulse width (ECL)	5.0 ns
Bit Error Rate	1 x 10 <sup>-9</sup> (worse case)
Jitter	3 ns Maximum
System Delay	35ns typical with 1 meter fiber
Operating Modes	Single-ended or differential
Operating Wavelength	1310 or 1550nm
Optical Output Power (typ.)	-14dBm (multimode) -10 dBm (single-mode)
Optical Loss Budget	0-15 dB (multimode) 0-18 dB (single-mode)
Optical Connectors	ST (multimode) FCPC (single-mode)
Signal Connectors	BNC
Operating Temperature	-35° to +75°C
Power Requirements*	10-24 VAC/DC @ 210mA
Physical Size (mm)	5.0" H(127) x 1.0"W (25.4) x 3.0" L(76)

\*The DT/DR-7301 is not recommended for single-pulse Applications  
Note that all specifications are subject to change without prior notice.



### Important Features

- 1 Mb - 200 Mb/s Data Rate
- Fully Adjustment Free
- TTL, ECL, PECL selectable
- Signal and Power Indicators
- Stand-alone or Rack Mountable (same unit)

### Ordering Information

Transceiver, DX-7101-X

"X" = Wavelength/Fiber

- 3 = 1310nm Multimode
- 7 = 1310nm Single-mode
- 9 = 1550nm Single-mode

For stand-alone operation order a PS-1205 power supply for each unit.

For rack mounted operation all operating power is provided by the power supply used with the rack panel.

**LuxLink™**  
www.luxlink.com

166 Haverford Road  
Hicksville, NY 11801  
USA 516-931-2800