

Digital Current Loop

DX-7501

For 0-20, 30, or 60mA Digital Current Loop Applications

The DX-7501 is a data transceiver designed to transmit and receive digital current loop signals in a wide range of diverse applications. The unit is designed to operate in simplex or full duplex modes. The DX-7501 can easily be user configured for active or passive 20, 30, or 60 mA current loop operation. The DX-7501 will operate continuously at all data rates from DC to 115.2 Kb/sec.

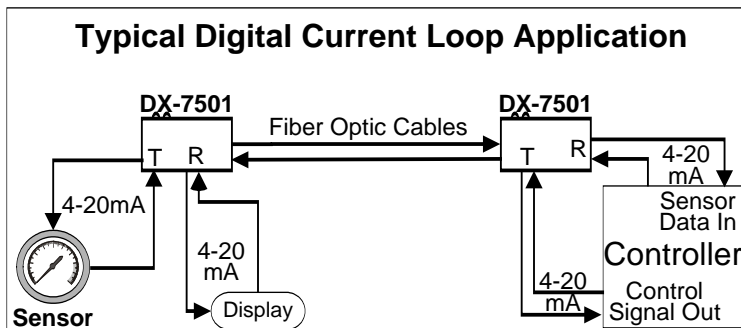
Both multi-mode and single-mode versions are available and installation is totally adjustment free. In addition, integral indicators are provided to continuously indicate the presence of data signals as well as the presence of operating power making system troubleshooting simple.



Technical Specifications

Data Transmission Rate	DC to 115.2 Kb/s
Protocols Supported	Current Loop 0-20, 30, or 60mA
Protocol modes	Active and Passive
Operating Modes	Simplex, Duplex
Rise/Fall Times (typ.)	1.0 microsecond
Operating Wavelength	850, 1310 or 1550nm
Optical Output Power (typ.)	-14dBm (multimode) -10 dBm (single-mode)
Optical Loss Budget	0-15 dB (multimode) 0-18 dB (single-mode)
Optical Connectors	ST (multimode) FCPC (single-mode)
Signal Connector	Removable Terminal Block
Operating Temperature	-35° to +75°C
Power Requirements*	10-18 VAC/DC @150ma.
Physical Size (mm)	5.0" (127) x 3.0" (76) x 1.0" (25.4)

Note that all specifications are subject to change without prior notice.



Important Features

- **DC to 115.2 Kb/s**
- **Fully Adjustment Free**
- **Data Signal & Power Indicators**
- **Stand-alone or Rack Mountable (same unit)**

Ordering Information

Transceiver, DX-7001-X

"X" = Wavelength/Fiber

- 1 = 850nm Multimode
- 3 = 1310nm Multimode
- 7 = 1310nm Single-mode
- 9 = 1550nm Single-mode

**For stand-alone operation order a PS-1205 power supply for each unit.

**For rack mounted operation all operating power is provided by the power supply used with the rack panel.