

Distribution Amplifier

INSM-2304

For Distribution of Analog Signals

The INSM-2004 is a distribution amplifier (DA) that accepts an electrical analog input signal and produces four individual electrical output signals for distribution over four separate coaxial cables to other analog receivers. If an optical analog signal distribution amplifier is required, please contact us.

Integral indicators are also provided to continuously indicate the presence of input signals as well as the presence of operating power making system troubleshooting simple. Units can be mounted in our 1U, 2U, or 3U rack panels, and may be daisy chained providing multiple outputs (e.g. 3 units, in a 1U rack yields 10 outputs)



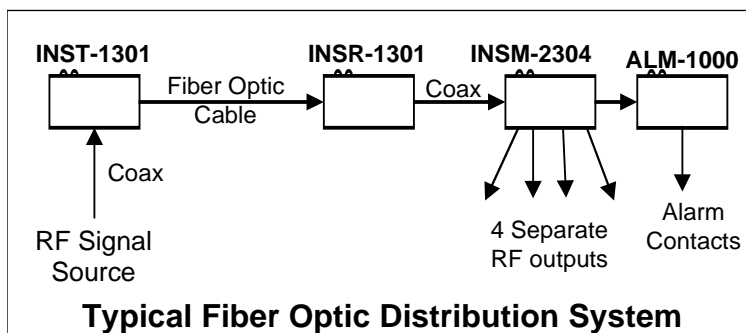
Technical Specifications

Important Features

System bandwidth (per channel)	20 Hz to 30 MHz
Input / Output Levels	3.5 volts typical (TTL)
Input / Output Impedances	50 ohms
Linearity	0.1% typical
Signal/Noise Ratio	60 dB minimum
Signal Connectors	BNC
Indicators	Pwr, Signal, Alm
Operating Temperature	-35° to +75°C
Power Requirements*	11-24 VAC/DC @150ma.
Physical Size (mm)	5.0" (127) x 3.0" (76) x 1.0" (25.4)

- **20Hz to 100 MHz Bandwidth**
- **Fully Adjustment Free**
- **Signal & Power Indicators**
- **Stand-alone or Rack Mountable (same unit)**

Note that all specifications are subject to change without prior notice.



Ordering Information

Video Distribution Amplifier

INSM-2304

*For stand-alone operation order a PS-1205 power supply.

*For rack mounted operation all operating power is provided by the power supply used with the rack panel.

LuxLink™
www.luxlink.com

166 Haverford Road
Hicksville, NY 11801
USA 516-931-2800