

WIDEBAND ANALOG

INST/INSR-1301

For Cost-effective Analog Instrumentation Applications

The *Litelink*[™] INST/INSR-1301 system consists of the INST-1301 transmitter and INSR-1301 receiver. Both units utilize intensity modulation (IM) to transmit wide band analog signals for a host of laboratory and instrumentation applications.

Both multimode and single-mode versions are available and installation only requires a simple one-minute calibration adjustment. Integral indicators are provided on both units to continuously indicate the presence of repetitive signals as well as the presence of operating power making system troubleshooting simple.

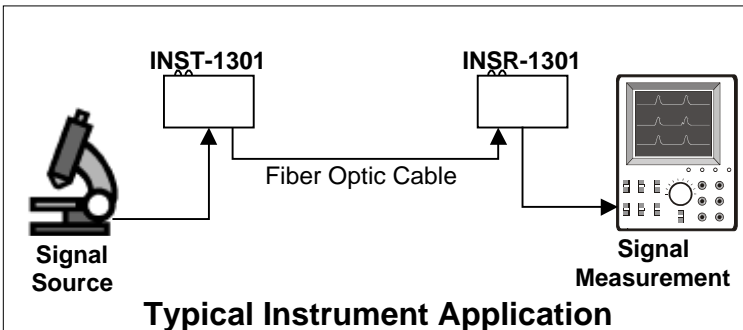


Technical Specifications

System Bandwidth (minimum)	30 MHz (+0,-3dB)
Input / Output Impedance	50 ohms
Input / Output Level	3 volts peak to peak
Signal /Noise Ratio*	60 dB minimum
Dynamic Range	58 dB minimum
Linearity*	3.0% maximum
Phase Shift*	3.0° maximum
Rise / Fall time	15 ns minimum
Operating Wavelength	850, 1310 or 1550nm
Optical Output Power	-16dBm (multimode) -16dBm (single-mode)
Optical Loss Budget	0-13dB (multimode) 0-13dB (single-mode)
Optical Connectors	ST (multimode) FCPC (single-mode)
Signal Connector	BNC
Operating Temperature	-35° to +75°C
Power Requirements	11-24 VAC/DC @150ma.
Physical Size (mm)	5.0" (127) x 3.0" (76) x 1.0" (25.4)

*Measured with 1Km of 62.5u multimode fiber.

Note that all specifications are subject to change without prior notice.



Important Features

- **30 MHz Signal Bandwidth**
- **Very Cost-effective**
- **Signal & Power Indicators**
- **Multimode or Single-mode versions**
- **Stand-alone or Rack Mountable (same unit)**

Ordering Information

Transmitter, INST-1301-X
Receiver, INSR-1301-X

"X" = Wavelength/Fiber

- 1 = 850nm Multimode
- 3 = 1310nm Multimode
- 7 = 1310nm Single-mode
- 9 = 1550nm Single-mode

For stand-alone operation order a PS-1205 power supply for each unit.

For rack mounted operation all operating power is provided by power supply used with the rack-mounting panel.