

## IRIG Format Converter

IRGC-3003

### For IRIG DCLS <----> Modulated Format Conversion

The IRGC-3003 is IRIG format converter, converting modulated IRIG to/from DCLS IRIG. There is one buffered IRIG input with loop through output, and three individual converted electrical output signals. IRIG A, B, & E, are supported. Mode of operation (type of conversion) and carrier resolution is selectable via a front panel dip switch.

Integral indicators are provided to continuously indicate the presence of IRIG signal as well as the presence of operating power making system troubleshooting simple. Optional ALM-1000 can be utilized if alarm outputs are required. Units can be mounted in our 1U, 2U, or 3U rack panels. For other IRIG distribution products see the IRGM-1004, 2004, 7004, 8004



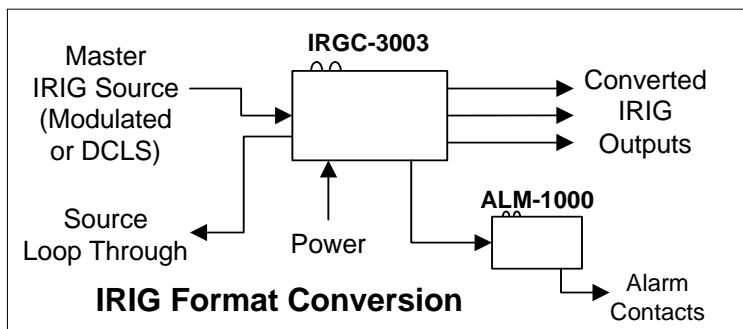
### Technical Specifications

### Important Features

Formats	Modulated or DCLS IRIG
Protocols	IRIG-A,B, & E
Modulated;	
Signal Bandwidth	100 Hz to 100 KHz (+0,-3dB)
Input / Output Impedance	600 ohms
Input / Output Level	6 volts pp maximum
Signal/Noise Ratio	60 dB minimum (ref 1Vpp)
Linearity	2% typical
DCLS	
Data Rate	DC to 1000 pps
Rise / Fall Time	20 nsec typical
Input / Output Impedance	50 ohms
Input / Output Level	TTL (3.5 volts)
Bit Error Rate	10E9 minimum
Propagation Delay	35 ns
Offset between outputs	< 5 ns
Signal Connector	BNC
MTBF (MIL-HDBK-217D)	>100,000 Hours
Operating Temperature	-35° to +75°C
Power Requirements	11-24 VAC/DC @ 100 mA
Physical Size (mm)	5.0" (127)H x 1.0" (25.4)W x 3.0" (76)L

- **IRIG A, B, E Protocols**
- **1 Loop Through**
- **3 Outputs**
- **Signal & Power Indicators**
- **Stand-alone or Rack Mountable (same unit)**

Note that all specifications are subject to change without prior notice.



### Ordering Information

Model # IRGC-3003

For stand-alone operation order a PS-1205 power supply for each unit.

For rack mounted operation all operating power is provided by the power supply used with the rack panel.