

IRIG Time Code Distribution

IRGM-2004

For High Quality IRIG Signal Distribution

The **LuxLink**® IRGM-2004 is a distribution amplifier (DA) that accepts an electrical modulated IRIG A through H, NASA-36 and IEEE 1344 input signals and produces four individual electrical output signals for distribution over four separate coaxial cables to other IRIG receivers. If an optical IRIG distribution amplifier is required see the IRGM-1004. If you need a DCLS (Direct Current Level Shift) or digital distribution amplifier use model IRGM-8004

Integral indicators are also provided to continuously indicate the presence of IRIG signals as well as the presence of operating power making system troubleshooting simple. Units can be mounted in our 1U, 2U, or 3U rack panels, and may be daisy chained providing multiple outputs (e.g. 3 units in a 1U rack yields 10 outputs).



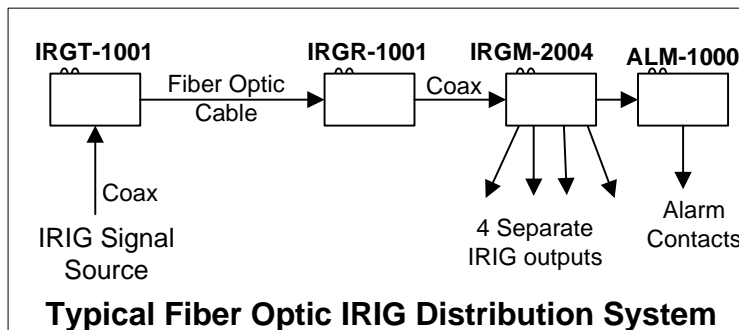
Technical Specifications

Signal Bandwidth	100 Hz to 100KHz (+0,-3dB)
Input / Output Impedance	600 ohms
Input / Output Level	5 volts pp maximum
Output Drive Current	5 mA per output
Signal/Noise Ratio*	60dB minimum
Linearity	2% typical
Signal Connector	BNC
Propagation Delay	5 ns
Output Channel Isolation	> 40 dB
Offset between outputs	< 0.5 ns
MTBF (MIL-HDBK-217D)	100,000 Hours
Operating Temperature	-35° to +75°C
Power Requirements	11-24 VAC/DC @350mA
Physical Size (mm)	5.0" (127) x 3.0" (76) x 1.0" (25.4)

Note that all specifications are subject to change without prior notice.

Important Features

- **4 Buffered Outputs**
- **Cost effective**
- **Signal & Power Indicators**
- **Stand-alone or Rack Mountable (same unit)**
- **DIN Rail Adapter Available**



Ordering Information

IRGM-2004

For stand-alone operation order a PS-1205 power supply for each unit.

For rack mounted operation all operating power is provided by the power supply used with the rack panel.

LuxLink™
www.luxlink.com

166 Haverford Road
Hicksville, NY 11801
USA 516-931-2800