

DC Time Code Distribution

IRGM-7004

For Digital Pulse Distribution

The **LuxLink**® IRGM-7004 is an optical transmitter that converts a DC time code signal, IRIG-A through H, DCLS (1 pulse per second to 10K pps) into four individual optical output signals for distribution over separate fiber optic cables to separate IRGR-7001 receivers.

The unit is compatible with both IRGR-7001 receivers and IRGP-7001 repeaters. Integral indicators are also provided on both units to continuously indicate the presence of DC time code signals as well as the presence of operating power making system troubleshooting simple.



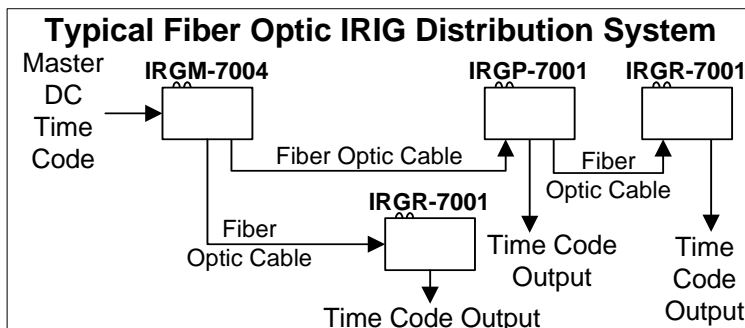
Technical Specifications

Important Feature

Data Rate	1 pulse/sec to 10,000 pulse/sec
Protocol Standard	IRIG A, B, D, E, G, H; DCLS
Input / Output Impedance	50 ohms
Input / Output Level	5 volts (TTL), 40 mA
Bit Error rate	10E9 minimum
Operating Wavelength	850, 1310 or 1550nm
Optical Loss Budget	0-12dB (multimode or single-mode)
Optical Connectors	ST (multimode) FCPC (single-mode)
Signal Connector	BNC
MTBF (MIL-HDBK-217)	>100,000 Hours
Operating Temperature	-35° to +75°C
Humidity	<95% non condensing
Power Requirements	11-24 VAC/DC @ 250 mA
Physical Size IRGP-7001 (mm)	5" (127) x 3" (76) x 1" (25.4)
IRGM-7004 (mm)	5" (127) x 7" (178) x 1" (25.4)

- **DC Coupled**
- **12 dB Loss Budget**
- **Signal & Power Indicators**
- **Stand-alone, DIN or Rack Mountable (same unit)**

Note that all specifications are subject to change without prior notice.



Ordering Information

IRGM-7004-X Four Channel Tx

"X" = Wavelength/Fiber
-1 = 850nm Multimode, ST
-3 = 1310nm Multimode, ST
-7 = 1310nm Single-mode, FC
-9 = 1550nm Single-mode, FC

For stand-alone operation order a PS-1205 power supply for each unit.

For rack mounted operation all operating power is provided by the power supply used with the rack panel.

LuxLink®
Fiber Optic Transmission Systems

www.LuxLink.com
USA 516-931-2800