

Power Supplies

PS-1210

For Powering all *Liteway*[®] Transmission Systems

The *Litelink*[®] PS-1210 is a stand-alone or rack mountable power supply that may be used to power multiple *Liteway* fiber optic transmission units.

This power supply has power, overload and alarm indicators. Internal fuses protect the unit in the event of an overload and will automatically reset when the overload condition is removed. The power supply has the ability to be paralleled for redundant operation and are "hot swappable".

This efficient supply is compliant with the US Energy Independence and Security Act of 2007 and current California Energy Commission (CEC) efficiency standards.



Technical Specifications

DC Output Voltage	12 V unregulated* (12-17VDC)
DC Output Current	1 Ampere
AC Input:	US 115 VAC 50/60 Hz EU 230 VAC 50/60 Hz AU 240 VAC 50/60 Hz UK 240 VAC 50/60 Hz
AC Input Connector	Universal IEC
Indicator Lights	Power, Overload, Alarm**
Operating Temperature	-35° to +75°C
Humidity	<95% non condensing
MTBF	>100,000 Hours
Physical Size (mm)	7.0" L x 5.0" W x 1.0" D (178) x (127) x (25.4) mm
Weight	1 lb.

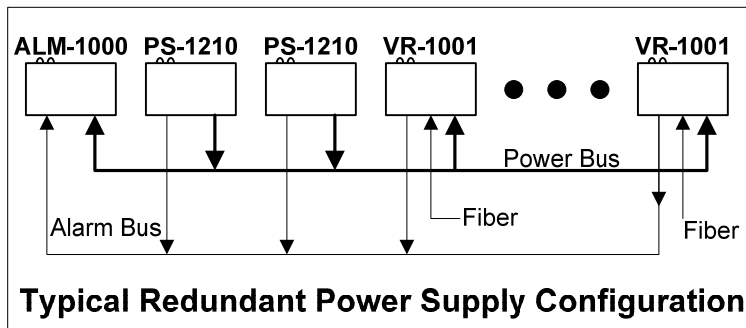
* Output can be as high as 17VDC with no load.

**The Alarm light is used to indicate a failure of one supply when two or more are connected for redundant operation.

Note that all specifications are subject to change without prior notice

Important Features

- **Redundant Operation and 'hot swappable'**
- **Self Resetting Fuse**
- **Power & Overload Indicators**
- **Stand-alone, DIN or Rack Mountable (same unit)**



Typical Redundant Power Supply Configuration

Ordering Information

1 Ampere PS-1210-XX



Where XX = Region code

US = North American Versions
EU = European Versions
UK = United Kingdom
AU = Australia

Litelink[®]
Fiber Optic Transmission Systems

www.LiteLink.com
USA 516-931-2800

AC power cord identification

-US models	-EU models
	
-UK models	-AU models
