

## REDUNDANT VIDEO SWITCH

**RSW-3002**

### For Fail-Safe Redundant Video Applications

The RSW-3002 is a two input single output automatic switch designed to implement a redundant, fail-safe RF signal transmission. The RSW-3002 may be used with any fiber optic system to implement a redundant, fail-safe video transmission system.

Upon loss of the primary RF signal, the RSW-3002 will automatically switch the remaining secondary (backup) RF signal to the output as well as activate the front panel alarm indicator and ALM-1000 Alarm Sensing Unit if used. Indicators are provided to continuously indicate the presence of video signals in each channel as well as the presence of operating power making system troubleshooting simple.



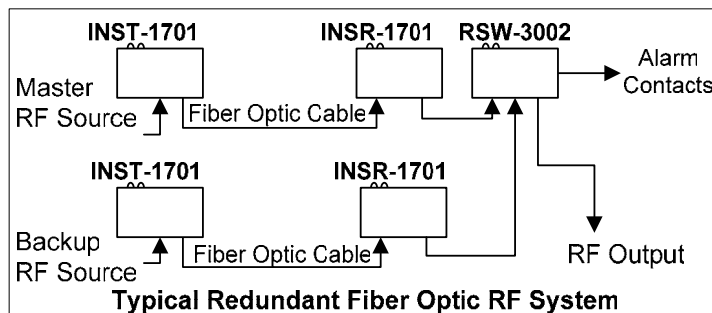
### Technical Specifications

### Important Feature

Compatibility	
Video Bandwidth (per channel)	10 Hz to 1 GHz (+0, -3dB)
Video Input / Output Levels	3 volt peak to peak
Input / Output Impedances	50 ohms
Differential Gain	0.5% maximum
Phase Shift	0.3° maximum
Switch Over Time	10 milliseconds maximum
Signal/Noise Ratio	75 dB minimum
Signal Connectors	BNC
Indicators	Power, Input 1, Input 2, Alarm
Operating Temperature	-35° to +75°C
Power Requirements	11-24 VAC/DC @150ma.
Physical Size (mm)	5.0" (127) x 3.0" (76) x 1.0" (25.4)

- **100 Hz to 1 GHz Bandwidth**
- **Auto or Manual operation**
- **Signal & Power Indicators**
- **Alarm output with ALM-1000**

Note that all specifications are subject to change without prior notice.



### Ordering Information

Redundant Video Switch

RSW-3002

\*For stand-alone operation order a PS-1205 power supply.

\*For rack mounted operation all operating power is provided by the power supply used with the rack panel.

**LuxLink™**  
www.luxlink.com

166 Haverford Road  
Hicksville, NY 11801  
USA 516-931-2800