

## Contact Closure (1 Channel)

CT/CR-8001

*For Contact Closure or Status Monitoring Applications*

The **Litelink**<sup>®</sup> CT/CR-8001 system consists of the CT-8001 transmitter and CR-8001 receiver. Both units utilize digital encoding techniques to transmit and receive one contact closures over a single optical fiber conductor. For an 8-channel version see the CT/CR-7008

The CT-8001 may be activated by dry contacts or TTL signals and the CR-8001 will reproduce these inputs as isolated output contact closures corresponding to the respective input signal. All inputs are transient protected against excessive surges present on the signal and power leads. The unit is completely fail-safe in that a loss of operating power or a broken fiber will force all contacts to the open condition.



### Technical Specifications

Number of Channels	One
Transmitter Input	Dry Contact Closure or TTL
Tx Input Impedance	3 K Ohms maximum
Receiver Output	Relay Contact Closure
Output Contact switching A	0.5 A @ 125 VAC (62.5VA) 1.0 A @ 24 VDC
Output Contact Resistance	100 milliohms maximum
Speed of Response	10 ms maximum
Operating Wavelength	850, 1310 or 1550nm
Optical Loss Budget	0-10dB (multimode) 0-12dB (single-mode)
Optical Connectors	ST (multimode) FCPC (single-mode)
Signal Connector	Removable Terminal Block
Operating Temperature	-35° to +75°C
Humidity	<95% non condensing
MTBF (per MIL HBK 217D)	>120,000 hours
Power Requirements	11-24 VAC/DC @ 150 mA
Physical Size (mm)	5.0" (127) x 3.0" (76) x 1.0" (25.4)

Note that all specifications are subject to change without prior notice.

### Important Feature

- **Low Cost**
- **Signal, Power, & Link Indicators**
- **Multimode or Single-mode versions**
- **Stand-alone, DIN or Rack Mountable (same unit)**

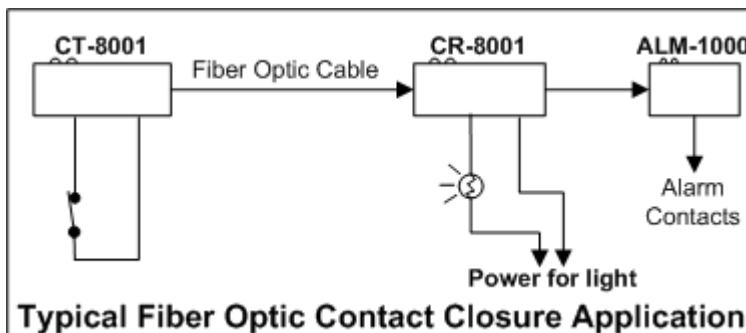
#### Ordering Information

Transmitter CT-8001-X  
Receiver CR-8001-X

"X" = Wavelength/Fiber  
-1 = 850nm Multimode  
-3 = 1310nm Multimode  
-7 = 1310nm Single-mode  
-9 = 1550nm Single-mode

For stand-alone operation order a PS-1205 power supply for each unit.

For rack mounted operation all operating power is provided by power supply used with the rack-mounting panel.



**Liteway**<sup>®</sup>

Fiber Optic Transmission Systems

www.Liteway.com  
USA 516-931-2800