

Optical A/B Switch

OS-5111-x, OS-5211-x

For Secure Fiber Optic Signal Selection Applications

The **LuxLink**[®] OS-5111 is a fiber optic switch that can be controlled remotely or through a front panel switch. The optical path through the units is purely optical. There is no optical to electrical to optical conversion. As a result, there is no data rate limitation or bandwidth limit on the fiber optic path. In addition, since the optical signal is not demodulated the optical data is totally secure. The optical path can be select via a front panel switch or via contact closure input. In event of loss of power, the unit has a fail safe mode that opens the switch.

Common applications for this device are optical routing, system bypass, network cut off switch, and fiber optic testing. The OS-5111 control can be daisy chained to switch multiple optical connections. For two OS-5111 mounted in a single housing, order the OS-5211.



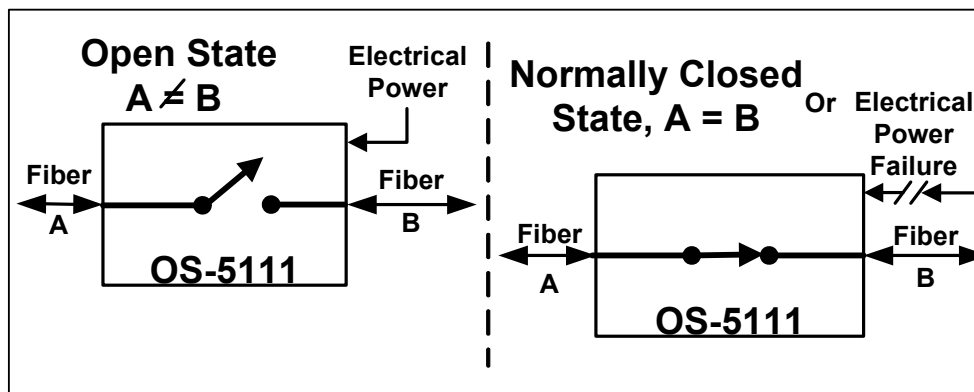
Technical Specifications

Switching Time	< 10 ms
Back Reflection	< -50 dB
Insertion Loss	< 1.3 dB
Cross Talk	< -50 dB
Switch Life cycle	> 1 Million cycles
Operating Wavelength	850/1310 or 1310/1550nm
Optical Connectors	ST, SC, or FCPC
Operating Temperature	0° to +70°C
Humidity	<95% non condensing
MTBF(per MIL HBK 217)	>120,000 hours
Power Requirements*	11-24 VAC/DC @150 mA
Size (mm) Single	5.0" (127) x 3.0" (76) x 1.0" (25.4)
Size (mm) Dual	5.0" (127) x 3.0" (76) x 2.23" (56.6)

* -48VDC only models available by request.
Note that all specifications are subject to change without prior notice.

Important Features

- **Switching time < 10 ms**
- **Fail-safe return to bypass mode with loss of power**
- **Small physical footprint**
- **Multimode or single-mode versions**
- **Power and Switch status indicators**
- **Stand-alone, DIN or Rack Mountable (same unit)**



Ordering Information; OS-5111-X where "X" = Wavelength/Fiber/Connector
-3 = 850/1310nm Multi-mode ST/PC -4 = 850/1310nm Multi-mode- SC/PC
-5 = 1310/1550nm Single-mode SC/PC -6 = 1310/1550nm Single-mode LC/PC
-7 = 1310/1550nm Single-mode FC/PC

LuxLink[®]
Fiber Optic Transmission Systems

www.LuxLink.com
USA 516-931-2800