

Power Supply

PS-1205-US

For Powering all Liteway Transmission Systems

The **Liteway**® PS-1205 US is a stand-alone wall type plug-in power supply that may be used to power one or two fiber optic transmission units.



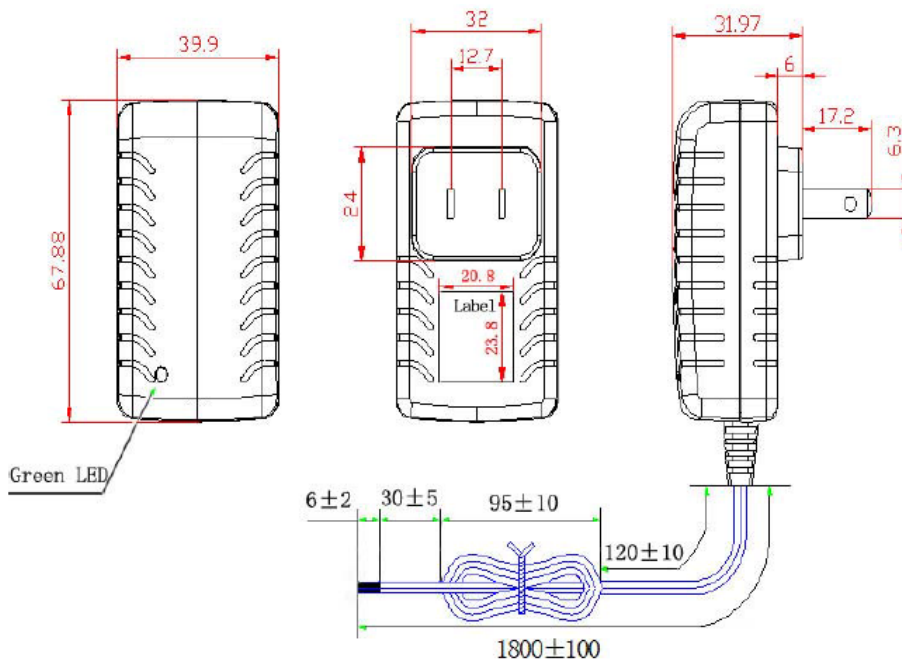
Technical Specifications

DC Output Voltage	12 V +/- 5% at 500 mA load
DC Output Current	500 milliamperes
AC Input:	115 VAC 50/60Hz
AC Input Connector	US Wall Plug
Cord Length	6 feet
Indicator Lights	None
Operating Temperature	0° to +40°C
Storage Temperature	-25° to +85°C
Relative Humidity	5%-90%
Physical Size	3.07" (78.0) L x 1.91" (48.5) W x 1.33" (33.8) D

Ordering Information

PS-1205-US

Note that all specifications are subject to change without prior notice



Liteway®
Fiber Optic Transmission Systems

www.Liteway.com
USA 516-931-2800