

WARRANTY

All fiber optic transmission systems, products and accessories manufactured by Liteway, Inc. and its subsidiaries are fully tested prior to shipment and are warranted against defective materials and workmanship for a period of five full years from the date of the original shipment. Should a problem occur, a Return Material Authorization Number (RMA) must be obtained from Liteway Inc. at (516) 931-2800 and the item returned to Liteway, Inc. 166 Haverford Road, Hicksville, NY 11801, USA, prepaid. Liteway Inc. will then, at its option repair or replace the defective item.

Liteway, Inc. maximum liability under this warranty is limited to the cost of the defective item only. No contingent liabilities of any kind are either assumed or implied.

Any items returned to Liteway, Inc. that have been misused, abused, damaged, modified, connected or adjusted in any way contrary to the instructions furnished by Liteway, Inc. or repaired by unauthorized personnel will not be covered by this warranty. Any non-warranty repairs required will be quoted at the current rate for such services.



Important Notices



CAUTION! AVOID DIRECT EXPOSURE TO BEAM.

All -5, -7, -8, and -9 Models use laser diodes. These solid-state laser diodes are located in the optical ports of these units. Laser diodes produce invisible radiation that may be harmful to human eyes. Never look directly into the optical port of any fiber optic unit designed to operate with single-mode optical fiber.

NOT FOR LIFE SUPPORT SYSTEMS

Liteway, Inc. does not authorize or warrant any of its products or accessories for use in critical life support systems or applications of any kind.

OPERATING INSTRUCTIONS

Fiber Optic DC Time Code Transmission System

Model; IRGP-7001 Rx / Repeater



The IRGP-7001 is an optical receiver that will receive an optical signal and produce an electrical and optical signal. This allows drop and repeat of the IRIG signal.

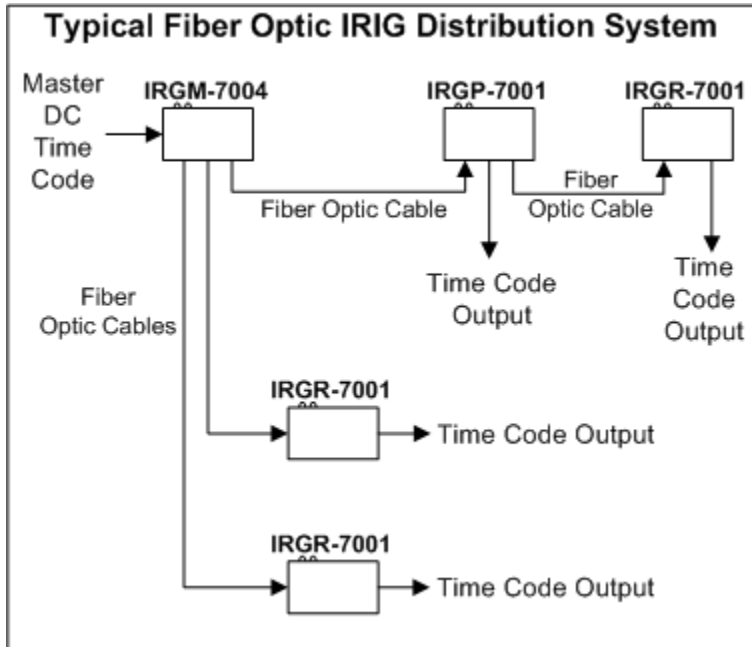
Technical Specifications

Data Rate	1 pulse/sec to 10,000 pulse/sec
Protocols	IRIG A, B, D, E, G, H; DCLS
In / Out Impedance	50 ohms
In / Out Signal Level	5 volts (TTL), 40 mA
Rise / Fall Time	20 nsec typical
Bit Error Rate	10E9 minimum
Signal Connectors	BNC
MTBF (MIL-HDBK-217)	>100,000 Hours
Operating Wavelength	850 (-1), 1310 (-3,-7), 1550 (-9)
Optical Output	-15 dBm typical
Optical Loss Budget	0 – 12 dB
Optical Connectors	ST (multimode), FCPC (single-mode)
Fibers Type	Multimode (-1,-3), Single-mode (-7,-9)
Temperature Range	-35° to +75°C
Power Requirements	11-24 VAC/DC @150 mA
Physical Size (mm)	5.0"(127)L x 3.0"(76)D x 1.0"(25.4)W

All specifications are subject to change without prior notice.

Installation Instructions

The diagram below shows the typical installation using the IRGM-7004, and IRGP-7001 for IRIG time code distribution



Both should be connected as shown and a DC time code signal applied to the transmitter. The receiver will reproduce this signal with no adjustments.

For best results it is important that properly terminated 50 ohm coaxial cables be used or rise and fall times will be affected.

Power Terminal Block Connections

Pin	Function
1	Alarm output for use with optional Alarm Sensing Unit ALM-1000. No other connections should be made to this terminal
2	+11 to 24 DC or AC Volts input
3	AC or DC return (Common to Housing)

Be certain to check all connections, settings and voltages before applying power

Indicator Lights

Indicator	Lights when
Pwr	Proper power is present.
Alrm	The loss of signal alarm is activated when there are no time code signals present
Sig	A time code signal is being transmitted or received.