

WARRANTY

All fiber optic transmission systems, products and accessories manufactured by Liteway, Inc. and its subsidiaries are fully tested prior to shipment and are warranted against defective materials and workmanship for a period of five full years from the date of the original shipment. Should a problem occur, a Return Material Authorization Number (RMA) must be obtained from Liteway Inc. at (516) 931-2800 and the item returned to Liteway, Inc. 166 Haverford Road, Hicksville, NY 11801, USA, prepaid. Liteway Inc. will then, at its option repair or replace the defective item.

Liteway, Inc. maximum liability under this warranty is limited to the cost of the defective item only. No contingent liabilities of any kind are either assumed or implied.

Any items returned to Liteway, Inc. that have been misused, abused, damaged, modified, connected or adjusted in any way contrary to the instructions furnished by Liteway, Inc. or repaired by unauthorized personnel will not be covered by this warranty. Any non-warranty repairs required will be quoted at the current rate for such services.



Important Notices



CAUTION ! AVOID DIRECT EXPOSURE TO BEAM.

All -5, -7, -8, and -9 Models use laser diodes. These solid-state laser diodes are located in the optical ports of these units. Laser diodes produce invisible radiation that may be harmful to human eyes. Never look directly into the optical port of any fiber optic unit designed to operate with single-mode optical fiber.

NOT FOR LIFE SUPPORT SYSTEMS

Liteway, Inc. does not authorize or warrant any of its products or accessories for use in critical life support systems or applications of any kind.

OPERATING INSTRUCTIONS

LuxLink® Optical 1x1 Switch Single Channel Model OS-5111

Dual Channel Model OS-5211



The OS-5111 is a fiber optic switch that can be remotely controlled. The optical path through the units is purely mechanical. There is no optical to electrical to optical conversion. As a result there is no data rate limitation or bandwidth limit on the fiber optic path. In addition, since the optical signal is not demodulated the optical data is totally secure. The optical path can be select via a front panel switch or via contact closure input. In event of loss of power, the unit has a failsafe mode that returns the switch to the normally closed mode.

Technical Specifications

Switching Time	< 10 ms
Back Reflection	< -50 dB
Insertion Loss	< 1.3 dB
Cross-talk	< -50 dB
Mechanical Life	> 1 Million cycles
Electrical Connector	5 pin removable terminal block
Temperature Range	-35° to +70°C
Operating Power Requirements	11-24 VAC/DC @150 mA -48 VDC (+/-2) for OS-1202, OS-2202
Physical Size (mm) single	5.0"(127)L x 1.0" (25.4)W x 3.0"(7)D
Physical Size (mm) dual	5.0"(127)L x 2.2" (56.6)W x 3.0"(7)D

Models, wavelength, connector

-3 = 850/1310nm Multimode ST/PC	-4 = 850/1310nm Multimode SC/PC
-5 = 850/1310nm Single-mode SC/PC	-7 = 1310/1550nm Single-mode FC/PC

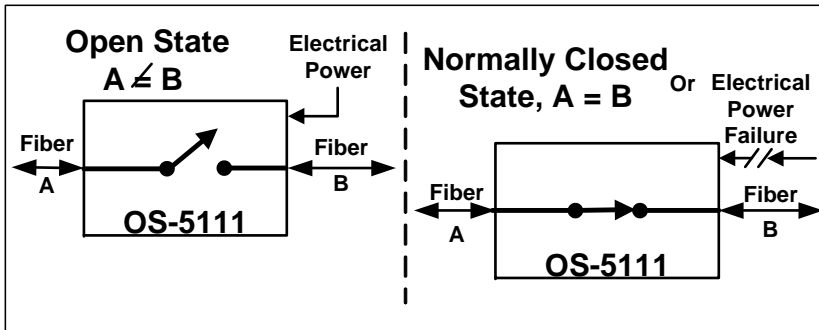
Specifications are subject to change without prior notice.

Installation Instructions

Common applications for this device are optical routing, system bypass, ring network restoration, and loop-back testing.

The diagram below shows the typical application of the OS-5111.

Note that the OS-5211 is two OS-5111 units in parallel and in one housing.



The OS-5111 switch will go into the close state under any of the following conditions:

- 1) There is a loss of electrical power
- 2) The front panel mode switch is put into the close mode
- 3) The rear panel control signal is grounded

For applications where two independent optical channels need to be switched, such as dual SONET rings, the OS-5211 is two OS-5111 in a single enclosure.

Power Signal Terminal Block Connections

Pin	Label	Function
1	Pwr+	+11 to + 24 Volts AC/DC
2	Pwr-	Return or Ground (also case ground)
3	Ctl	Control Signal (Connect to ground to place switch in close state)
4	Alm	Alarm* = gnd when optical switch is in the closed state = Open when optical switch is in the open state
5	Gnd	Ground

* The Alarm signal can be used with the ALM-1000 unit to provide an audible alarm and dry contacts for remote station monitoring.

Indicator Lights

Indicator	Lights when
Power	Proper power is present
Open	There is an open optical path through the switch.
Closed	There is a closed optical path through the switch.

Front Panel Mode Selector

Position	Function
Open	Optical port A (C) is blocked from optical port B (D)
Closed	Optical port A (C) is routed to optical port B (D)
Rmt	Optical port A (C) is routed to optical port B (D) except when rear control signal is activated or power is lost

Optical Connector Signal Paths

The optical signal path for the OS-5111 is port A to port B

The optical signal paths for the OS-5211 are port A to port B
And port C to port D